

APPLICATION

These damper motors are spring-return motors intended for residential and light commercial damper applications. A 2-wire, line voltage thermostat or other line voltage, spst controller must be used to control the M436A. A 24 V spst controller or thermostat without heat anticipation is required to operate the M836A. The M836B requires 24 V thermostat with a 0.75 A heat anticipator adjustment.

Each damper motor is supplied with a shaft coupling assembly and a crank arm assembly. With these accessories the motor shaft may be connected to the damper shaft directly or through a linkage. These damper motors operate:

1. Outdoor air dampers for combustion air in boiler rooms.
2. Backdraft dampers for exhaust fans.
3. Outdoor air inlet dampers to industrial makeup air units.
4. Changeover dampers for heating and cooling systems.
5. Minimum position damper for ventilation from outdoor air.
6. Two-position zone control dampers.
7. Both motor types have an adjustable auxiliary switch (spdt) for operating auxiliary equipment or cascading motors, or to act as a burner interlock switch.

INSTALLATION

WHEN INSTALLING THIS PRODUCT...

1. Read these instructions carefully. Failure to follow them could damage the product or cause a hazardous condition.
2. Check the ratings given in the instructions and on the product to make sure the product is suitable for your application.
3. Installer must be a trained, experienced service technician.
4. After installation is complete, check out product operation as provided in these instructions.

CAUTION

Disconnect power supply before beginning installation to prevent electrical shock or equipment damage.

Select a location where the ambient temperature range is within 32 F to 125 F.

Crank arm, mounting bracket #198545, and shaft coupling bag assemblies are included with motors; brackets listed in Table 1 must be ordered separately.

TABLE 1

TYPE BAG ASSEMBLY	BAG ASSEMBLY PART NO.	BRACKET INCLUDED
Bracket	16254AC	128499
Bracket	7640JM	126809
Bracket	7640JN	128336
Crank Arm	7640JL	
Shaft Coupling	7640JE	
Bracket	7640QJ	118148-21

MOUNTING

IMPORTANT

These motors must be mounted with shaft in horizontal position.

Locate as near as possible to the equipment to be controlled. Refer to Figs. 1-4. The 198545 Mounting Bracket and 7640JE Bag Assembly are for direct coupling to the damper shaft from either end of the motor, depending upon the desired rotational direction.

The 198545 Mounting Bracket may also be used for offset mounting with the 7640JL Bag Assembly and a standard damper linkage, such as Q605 (Fig. 2). 128336 Mounting Bracket must be used with 7640JL Bag Assembly and a standard damper linkage.

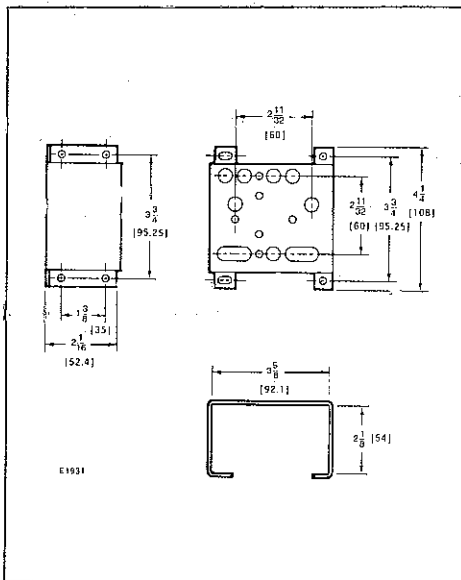


Fig. 1—Dimensions, in in., of mounting bracket.